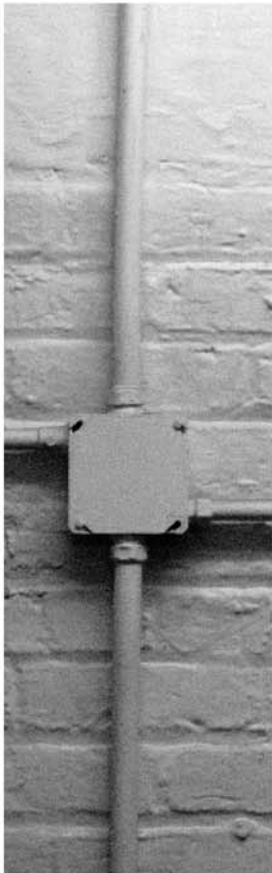
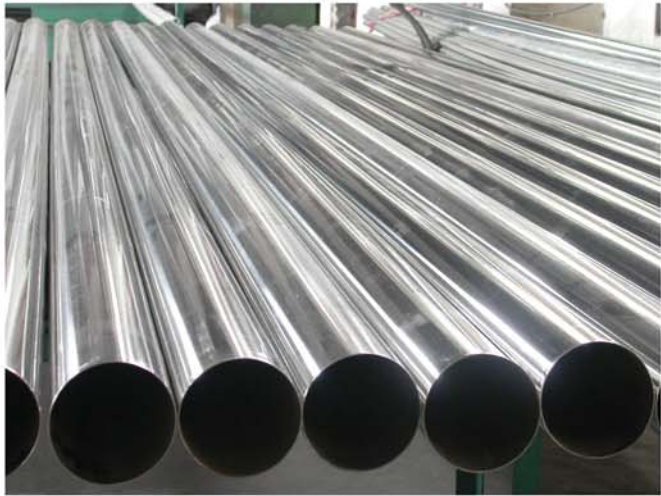


PRODUCT CATALOGUE



OSAKA | 大阪

INDUSTRY

PUBLIC PORT

RESIDENCE TOWER

FACTORY

PLANT

MINING



**THIS PAGE IS INTENTIONALLY LEFT BLANK TO SIMULATE
OPTIMAL TWO-PAGE UP VIEW IN ADOBE READER**

About OSAKA	1
Conduit System Type E	2
Steel Pipe	2
Coupling	3
Elbow	3
Circular Surface Box	3
Universal Fitting	6
Surface Switch Box	7
Set Screw	8
Bushing	8
Lock Nut	9
Box Connector	9
Saddle Clamp	9
Conduit System Type G	10
Steel Pipe	10
Coupling	11
Elbow	11
Circular Surface Box	11
Universal Fitting	14
Surface Switch Box	15
Bushing	16
Lock Nut	17
Box Connector	17
Saddle Clamp	17
Raceway & Clamps	18
Pyluck & Clamps	19
Box & Cover	20

OSAKA

大阪

As a newcomers in the businesses, we are committed to giving you the best service and quality. We are specialized in electrical installation product. The product is diversified from the Steel Conduit System and Accessories, Raceway System, Pipe Support Systems. We market our product under the trade names of OSAKA®.

We manufacture our products in Indonesia and the material used has been proven to provide exceptional strength, durability characteristics suitable pipe, economically competitive and environmentally friendly.

We align ourselves with manufacturers who are known for quality products, delivered at competitive price. Our purpose is to provide the right solution to our customers.



Threadless Steel Pipe



JIS C 8305  

Outstanding Features of OSAKA Conduit

Superior galvanizing by a newly developed, in-line hot-dip process for greater protection against atmospheric corrosion and exterior erosion. Finished with a durable, clear, anti - corrosion coat for additional protection and to assure smooth wire pulling.

Features

1) Easy and accurate bending

OSAKA CONDUIT is processed by high -frequency induction welding to prevent flattening and splitting, and is made from high quality steel.

2) Easy wire pushing and pulling

The high - grade stoved epoxy resin coating on the inside wall makes wire - pulling easy, and protects against corrosion.

3) Easy coupling and fast installation

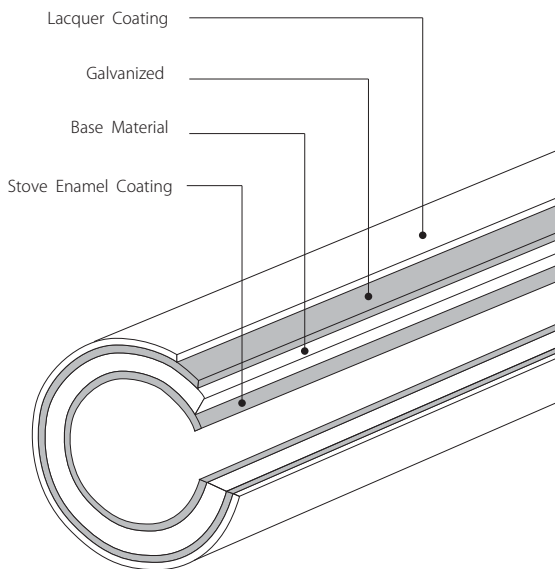
Precise, sharp threads cut by automated machinery mean fast and easy installation. Precise thread also makes our conduit virtually moisture-tight.

4) High corrosion resistance

Pure zinc coating on the exterior wall and stoved epoxy resin finish on the inside protects white conduit from corrosion, even by harsh chemicals and sea air.

5) Uniform quality

Flat steel is rolled, zinc - coated and threaded in one continuous automated process for uniform high quality.



Plain Conduit E

Type	Outside Diameter		Nominal Wall Thickness		Weight without coupling		
	inch	mm	inch	mm	lbs/ft	kg/ft	kg/m
E-19	0.752	19.1	0.047	1.2	0.357	0.162	0.530
E-25	1.000	25.4	0.047	1.2	0.481	0.218	0.716
E-31	1.250	31.8	0.055	1.4	0.705	0.320	1.050
E-39	1.500	38.1	0.055	1.4	0.853	0.387	1.270
E-51	2.000	50.8	0.055	1.4	1.149	0.521	1.710
E-63	2.500	63.5	0.063	1.6	1.640	0.744	2.440
E-75	3.000	76.2	0.070	1.8	2.218	1.006	3.330

Length is 12 ft. (3660 mm)

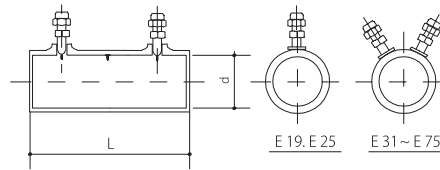
Length Tolerance : ± 0.197 inch (5 mm)

Applicable Tolerance : ± 0.006 inch (0.15 mm) for E 51 and smaller sizes

Outside Diameter Tolerance : ± 0.010 inch (0.25 mm) for E 63 and E 75

Weight Tolerance : - 7%

Set Screw Couplings

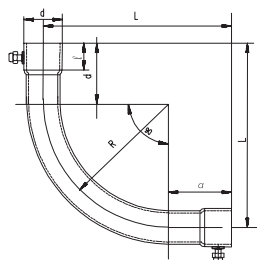


(lengths in : mm)

Type	d	L	No. of Screw	Weight (Kg)
E-19	19.6	57	2	0.08
E-25	25.9	66	2	0.10
E-31	32.3	76	4	0.13
E-39	38.6	85	4	0.24
E-51	51.3	95	4	0.33
E-63	64.2	104	4	0.45
E-75	76.9	114	4	0.59

JIS C 8330 JIS

Normal Bend / Elbow

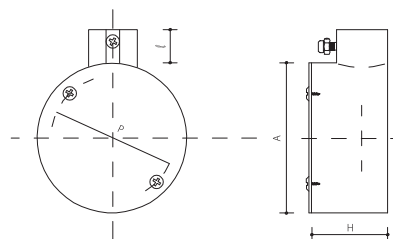


(lengths in : mm)

Type	R	t	L	No. of Screw	Weight (Kg)
E-19				1	0.1
E-25	120	50	170	1	0.2
E-31	150	60	210	2	0.4
E-39	180	75	255	2	0.6
E-51	230	100	330	2	1.0
E-63	290	120	410	2	1.7
E-75	350	150	500	2	2.8

JIS C 8330 JIS

Circular Surface Box 1 Way (Aluminium)

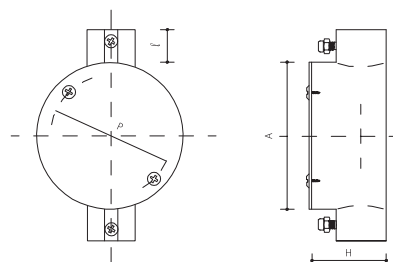


(lengths in : mm)

Type	H	A	l	P	Weight (Kg)
E-19	40.5	89.5	20	73	0.38
E-25	40.5	89.5	22	73	0.39
E-31	45	100	23	84	0.49

JIS C 8340 JIS

Circular Surface Box 2 Way Through (Aluminium)

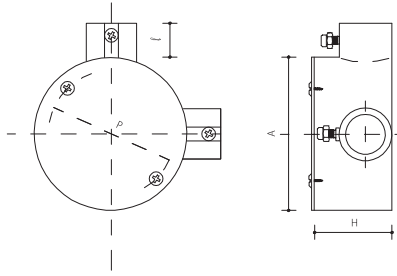


(lengths in : mm)

Type	H	A	l	P	Weight (Kg)
E-19	40.5	89.5	20	73	0.38
E-25	40.5	89.5	22	73	0.39
E-31	45	100	23	84	0.49

JIS C 8340 JIS

Circular Surface Box 2 Way Angle (Aluminium)

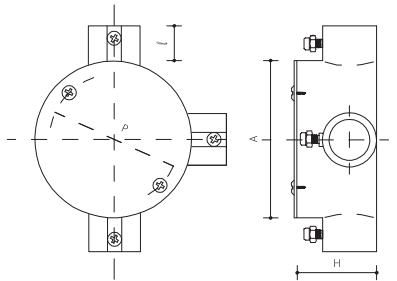


JIS C 8340 JIS

(lengths in : mm)

Type	H	A	ℓ	P	Weight (Kg)
E-19	40.5	89.5	20	73	0.38
E-25	40.5	89.5	22	73	0.39
E-31	45	100	23	84	0.49

Circular Surface Box 3 Way (Aluminium)

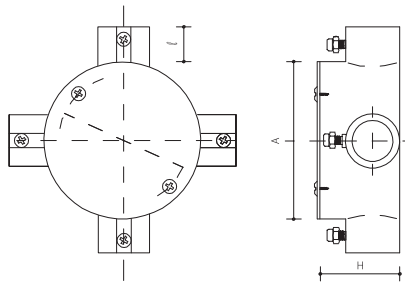


JIS C 8340 JIS

(lengths in : mm)

Type	H	A	ℓ	P	Weight (Kg)
E-19	40.5	89.5	20	73	0.38
E-25	40.5	89.5	22	73	0.39
E-31	45	100	23	84	0.49

Circular Surface Box 4 Way (Aluminium)

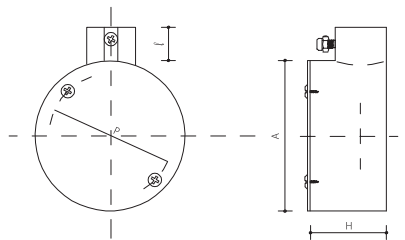


JIS C 8340 JIS

(lengths in : mm)

Type	H	A	ℓ	P	Weight (Kg)
E-19	40.5	89.5	20	73	0.38
E-25	40.5	89.5	22	73	0.39
E-31	45	100	23	84	0.49

Circular Surface Box 1 Way (Steel)

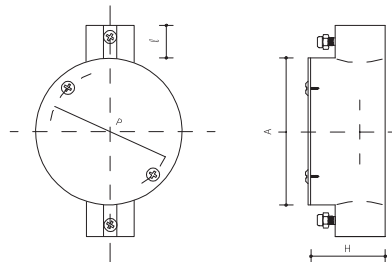


JIS C 8340 JIS

(lengths in : mm)

Type	H	A	ℓ	P	Weight (Kg)
E-19	40.5	89.5	18	73	0.38
E-25	40.5	89.5	20	73	0.39
E-31	44	100	20	84	0.49
E-39	55	114	25	96	0.49

Circular Surface Box 2 Way Through (Steel)

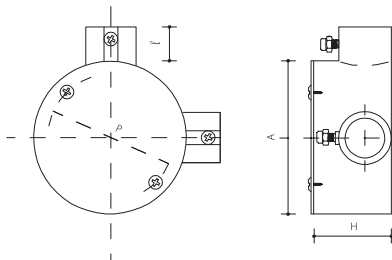


JIS C 8340 JIS

(lengths in : mm)

Type	H	A	l	P	Weight (Kg)
E-19	40.5	89.5	18	73	0.38
E-25	40.5	89.5	20	73	0.39
E-31	44	100	20	84	0.49
E-39	55	114	25	96	0.49

Circular Surface Box 2 Way Angle (Steel)

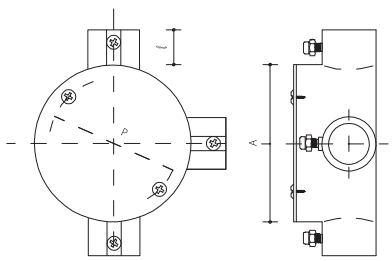


JIS C 8340 JIS

(lengths in : mm)

Type	H	A	l	P	Weight (Kg)
E-19	40.5	89.5	18	73	0.38
E-25	40.5	89.5	20	73	0.39
E-31	44	100	20	84	0.49
E-39	55	114	25	96	0.49

Circular Surface Box 3 Way (Steel)

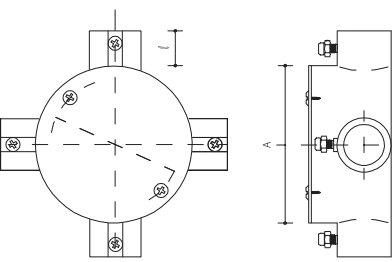


JIS C 8340 JIS

(lengths in : mm)

Type	H	A	l	P	Weight (Kg)
E-19	40.5	89.5	18	73	0.38
E-25	40.5	89.5	20	73	0.39
E-31	44	100	20	84	0.49
E-39	55	114	25	96	0.49

Circular Surface Box 4 Way (Steel)

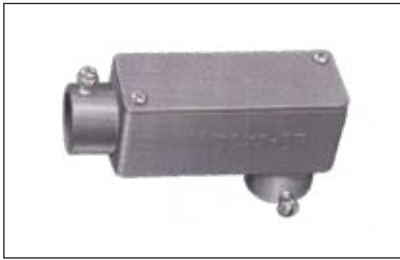


JIS C 8340 JIS

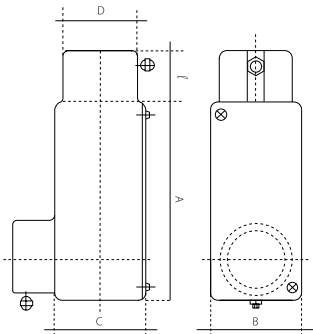
(lengths in : mm)

Type	H	A	l	P	Weight (Kg)
E-19	40.5	89.5	18	73	0.38
E-25	40.5	89.5	20	73	0.39
E-31	44	100	20	84	0.49
E-39	55	114	25	96	0.49

Universal Fitting LB (Aluminium)



JIS C 8340



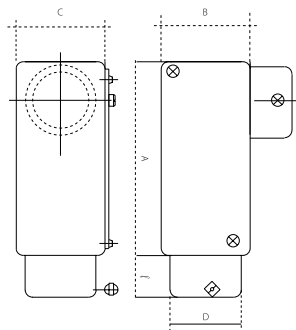
(lengths in : mm)

Type	A	B	C	D	ℓ	Weight (Kg)
E-19	90	33	35	28	18	0.38
E-25	95	40	42	35	20	0.47
E-31	110	45	47	42	20	0.63
E-39	120	60	62	50	25	1.1
E-51	120	60	63	60	25	1.2
E-63	165	75	78	72	25	1.9

Universal Fitting LL (Aluminium)



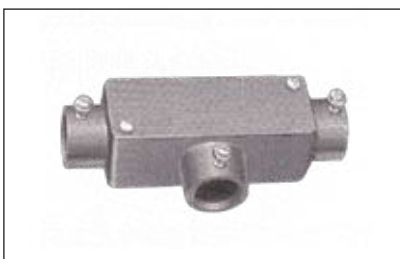
JIS C 8340



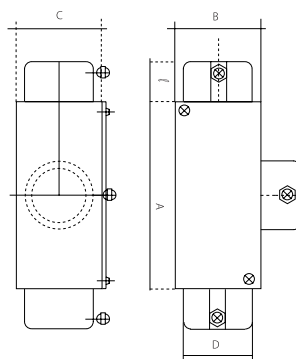
(lengths in : mm)

Type	A	B	C	D	ℓ	Weight (Kg)
E-19	90	33	35	28	18	0.38
E-25	95	40	42	35	20	0.47
E-31	110	45	47	42	20	0.63
E-39	120	60	62	50	25	1.1
E-51	120	60	63	60	25	1.2
E-63	165	75	78	72	25	1.9

Universal Fitting T (Aluminium)



JIS C 8340



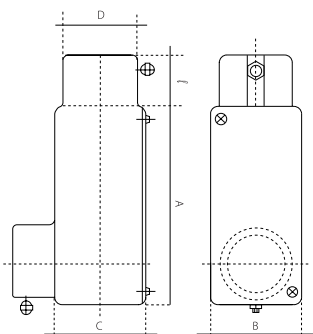
(lengths in : mm)

Type	A	B	C	D	ℓ	Weight (Kg)
E-19	90	33	35	28	18	0.36
E-25	95	40	42	35	20	0.50
E-31	110	45	47	42	20	0.67
E-39	120	60	62	50	25	1.2
E-51	120	60	63	60	25	2.0
E-63	165	75	78	72	25	2.1

Universal Fitting LB (Steel)



JIS C 8340



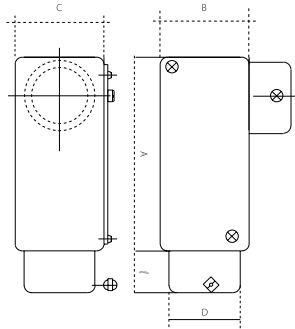
(lengths in : mm)

Type	A	B	C	D	ℓ	Weight (Kg)
E-19	90	33	35	28	18	0.38
E-25	95	40	42	35	20	0.47
E-31	110	45	47	42	20	0.63
E-39	120	60	62	50	25	1.1
E-51	120	60	63	60	25	1.2
E-63	165	75	78	72	25	1.9

Universal Fitting LL (Steel)



JIS C 8340



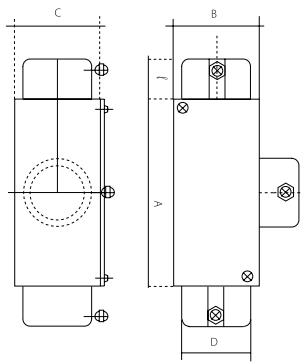
(lengths in : mm)

Type	A	B	C	D	l	Weight (Kg)
E-19	90	33	35	28	18	0.38
E-25	95	40	42	35	20	0.47
E-31	110	45	47	42	20	0.63
E-39	120	60	62	50	25	1.1
E-51	120	60	63	60	25	1.2
E-63	165	75	78	72	25	1.9

Universal Fitting T (Steel)



JIS C 8340



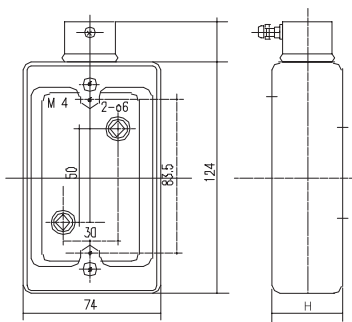
(lengths in : mm)

Type	A	B	C	D	l	Weight (Kg)
E-19	90	33	35	28	18	0.36
E-25	95	40	42	35	20	0.50
E-31	110	45	47	42	20	0.67
E-39	120	60	62	50	25	1.2
E-51	120	60	63	60	25	2.0
E-63	165	75	78	72	25	2.1

Surface Switch Box 1 Way (Aluminium)



JIS C 8340



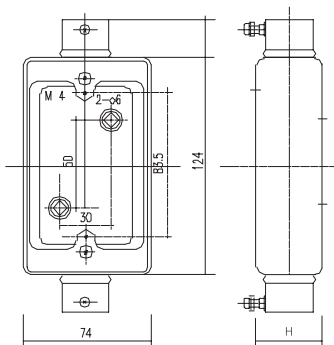
(lengths in : mm)

Type	H	Weight (Kg)
E-19	40	0.65
E-25	50	0.74
E-31	50	0.84

Surface Switch Box 2 Way (Aluminium)



JIS C 8340



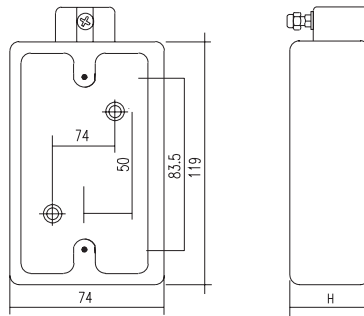
(lengths in : mm)

Type	H	Weight (Kg)
E-19	40	0.67
E-25	50	0.83
E-31	50	0.87

Surface Switch Box 1 Way (Steel)



JIS C 8340



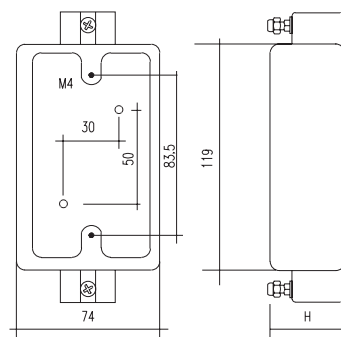
(lengths in : mm)

Type	H	Weight (Kg)
E-19	40	0.65
E-25	50	0.74
E-31	50	0.84

Surface Switch Box 2 Way (Steel)



JIS C 8340



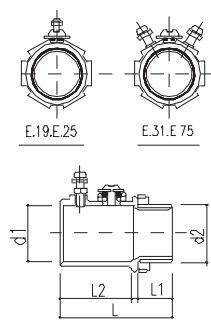
(lengths in : mm)

Type	H	Weight (Kg)
E-19	40	0.67
E-25	50	0.83
E-31	50	0.87

Set Screw Connector



JIS C 8330



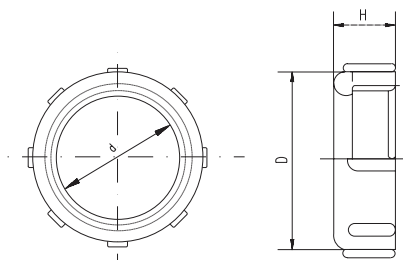
(lengths in : mm)

Type	d ₁	d ₂	L	L ₁	L ₂	No. of Screw	Weight (Kg)
E-19	19.6	19.1	33	12	18.3	1	0.08
E-25	25.9	25.4	33.5	12.5	20.3	1	0.10
E-31	32.3	31.8	37	14.5	20.5	2	0.13
E-39	38.6	38.1	49	16.5	29.5	2	0.24
E-51	51.3	50.8	49	16.5	29.5	2	0.33
E-63	64.2	63.5	56	18.5	34	2	0.45
E-75	76.9	76.2	63	20.5	39	2	0.59

Bushing



JIS C 8330



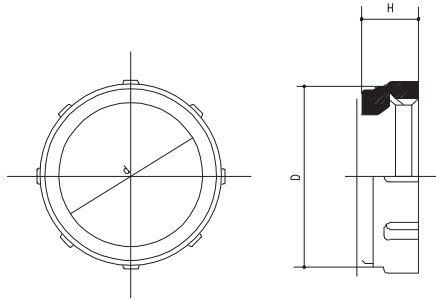
(lengths in : mm)

Type	d	D	H	Weight (Kg)
E-19	16	23	9	0.011
E-25	22	30	10	0.019
E-31	29	36	12	0.028
E-39	35	43	13	0.042
E-51	48	57	15	0.077
E-63	60	70	17	0.100
E-75	72	83	20	0.120

Insulated Bushing



JIS C 8330 JIS T



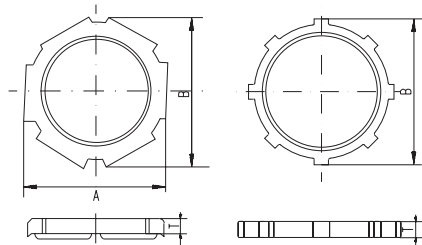
(lengths in : mm)

Type	d	D	H	Weight (Kg)
E-19	16	23	9	0.011
E-25	22	30	10	0.019
E-31	29	36	12	0.028
E-39	35	43	13	0.042
E-51	48	57	15	0.077
E-63	60	70	17	0.100
E-75	72	83	20	0.120

Lock Nut



JIS C 8330 JIS T



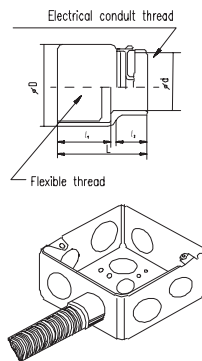
(lengths in : mm)

Type	A	B	T	Weight (Kg)
E-19	24	26	3	0.004
E-25	32	34	3	0.008
E-31	38	41	4	0.012
E-39	45	49	4	0.018
E-51		65	5	0.035
E-63		79	5	0.045
E-75		93	5	0.050

Box Connector



JIS C 8330 JIS T



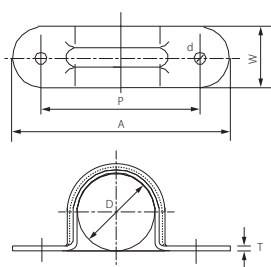
(lengths in : mm)

Type	D	d	L	ℓ ₁	ℓ ₂	Weight (Kg)
E-19	24.7	15.0	31	18	10	0.038
E-25	31.9	21.0	35	20	12	0.150
E-31	38.3	27.0	39	22	14	0.10
E-39	47.1	33.0	45	25	16	0.18
E-51	59.1	45.0	45	25	16	0.26
E-63	74.3	56.0	64	35	18	0.33
E-75	88.1	70.0	66	35	20	0.385

Saddle Clamp



JIS C 8330 JIS T



(lengths in : mm)

Type	A	P	W	D	d	T	Weight (Kg)
E-19	60	40	15	19.5	5	0.9	0.008
E-25	70	50	20	25.5			0.010
E-31	85	60	25	32	5.5	1.2	0.030
E-39	95	70	25	38.5			0.035
E-51	110	85	25	51			0.054
E-63	130	105	25	64	6.5	1.6	0.063
E-75	150	120	30	76.5			0.091

Threaded Steel Pipe



JIS C 8305  

Outstanding Features of OSAKA Conduit

Superior galvanizing by a newly developed, in-line hot-dip process for greater protection against atmospheric corrosion and exterior erosion. Finished with a durable, clear, anti - corrosion coat for additional protection and to assure smooth wire pulling.

Features

1) Easy and accurate bending

OSAKA CONDUIT is processed by high -frequency induction welding to prevent flattening and splitting, and is made from high quality steel.

2) Easy wire pushing and pulling

The high - grade stoved epoxy resin coating on the inside wall makes wire - pulling easy, and protects against corrosion.

3) Easy coupling and fast installation

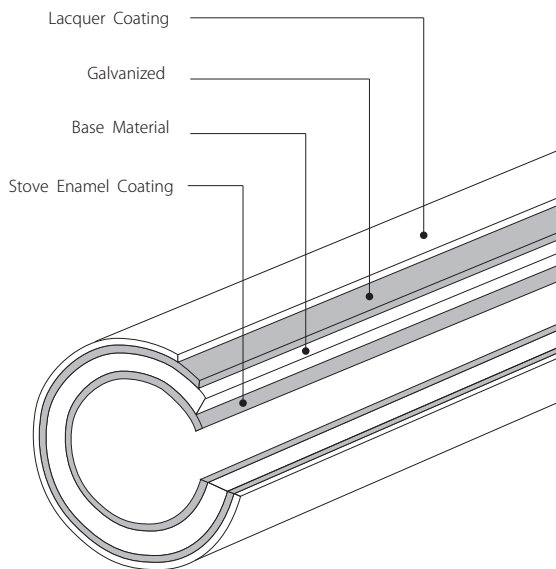
Precise, sharp threads cut by automated machinery mean fast and easy installation. Precise thread also makes our conduit virtually moisture-tight.

4) High corrosion resistance

Pure zinc coating on the exterior wall and stoved epoxy resin finish on the inside protects white conduit from corrosion, even by harsh chemicals and sea air.

5) Uniform quality

Flat steel is rolled, zinc - coated and threaded in one continuous automated process for uniform high quality.



Threaded Conduit G

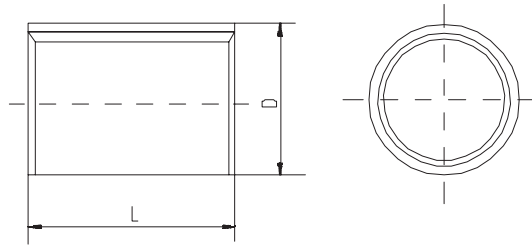
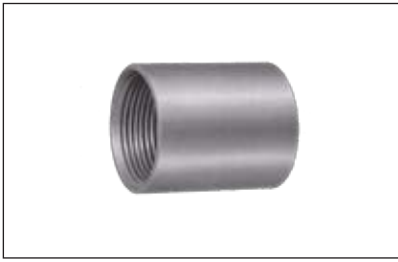
Type	Outside Diameter		Nominal Wall Thickness		Weight without coupling		
	inch	mm	inch	mm	lbs/ft	kg/ft	kg/m
G-16	0.827	21.0	0.090	2.3	0.712	0.323	1.060
G-22	1.043	26.5	0.090	2.3	0.921	0.418	1.370
G-28	1.311	33.3	0.098	2.5	1.277	0.579	1.900
G-36	1.650	41.9	0.098	2.5	1.633	0.741	2.430
G-42	1.882	47.8	0.098	2.5	1.875	0.850	2.790
G-54	2.346	59.6	0.110	2.8	2.634	1.191	3.920
G-70	2.961	75.2	0.110	2.8	3.360	1.524	5.000
G-82	3.461	87.9	0.110	2.8	3.951	1.792	5.880
G-92	3.964	100.7	0.137	3.5	5.367	2.557	8.390
G-104	4.464	113.4	0.137	3.5	6.369	2.889	9.480

Length is 12 ft. (3660 mm)
Length Tolerance : ± 0.197 inch (5 mm)

Applicable Tolerance : ± 0.012 inch (0.3 mm) for G 82 and smaller sizes
Outside Diameter Tolerance : ± 0.016 inch (0.4 mm) for G 92 and G 104

Weight Tolerance : - 7%

Coupling

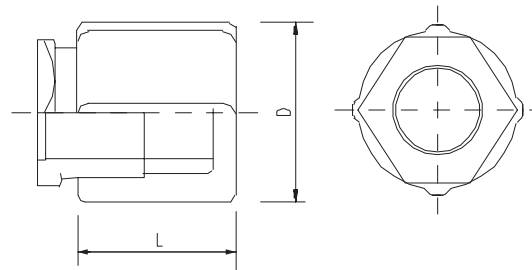


JIS C 8330 JIS

(lengths in : mm)

Type	D	L	Weight (Kg)
G-16	25.0	38	0.05
G-22	31.0	44	0.09
G-28	37.5	50	0.13
G-36	48.5	56	0.24
G-42	54.5	56	0.32
G-54	68.0	64	0.50
G-70	84.0	72	0.66
G-82	97.0	80	0.87
G-92	110.5	85	1.3
G-104	123.5	90	1.6

Union Coupling

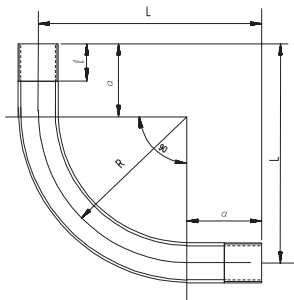


JIS C 8330 JIS

(lengths in : mm)

Type	D	L	Weight (Kg)
G-16	40	33	0.18
G-22	47	35	0.25
G-28	55	40	0.37
G-36	66	47	0.59
G-42	72	49	0.73
G-54	84	55	1.1
G-70	101	63	1.6
G-82	115	68	2.1
G-92	128	70	2.6
G-104	142	76	3.1

Elbow

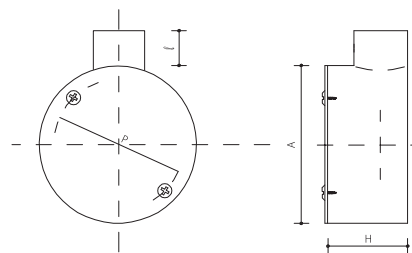


JIS C 8330 JIS

(lengths in : mm)

Type	R	α	L	l		Weight (Kg)
				Max	Min	
G-16	90	60	150	19	16	0.18
G-22	110	70	180	22	19	0.25
G-28	140	75	215	25	22	0.37
G-36	170	80	250	28	25	0.59
G-42	210	85	295	28	25	0.73
G-54	235	110	345	32	28	1.1
G-70	275	150	425	36	32	1.6
G-82	310	200	510	40	36	2.1
G-92	355	220	575	42	36	2.6
G-104	395	250	645	45	39	3.1

Circular Surface Box 1 Way (Aluminium)

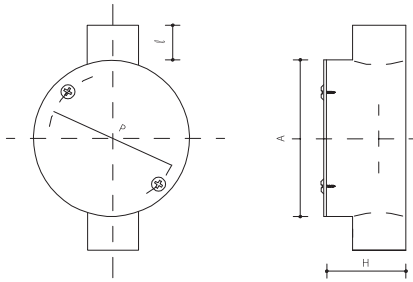


JIS C 8340 JIS

(lengths in : mm)

Type	H	A	l	P	Weight (Kg)
G-16	40	89	18	73	0.51
G-22	40	89	20	73	0.52
G-28	44	100	20	84	0.76
G-36	55	114	25	96	1.00
G-42	70	114	25	96	1.90

Circular Surface Box 2 Way Through (Aluminium)

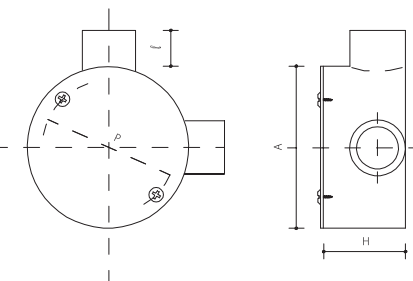


JIS C 8340 JIS Ⓟ

(lengths in : mm)

Type	H	A	l	P	Weight (Kg)
G-16	40	89	18	73	0.52
G-22	40	89	20	73	0.59
G-28	44	100	20	84	0.75
G-36	55	114	25	96	1.10
G-42	70	114	25	96	1.50

Circular Surface Box 2 Way Angle (Aluminium)

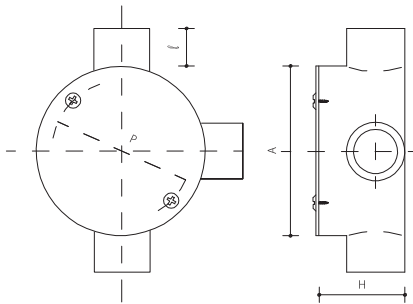


JIS C 8340 JIS Ⓟ

(lengths in : mm)

Type	H	A	l	P	Weight (Kg)
G-16	40	89	18	73	0.52
G-22	40	89	20	73	0.59
G-28	44	100	20	84	0.75
G-36	55	114	25	96	1.10
G-42	70	114	25	96	1.80

Circular Surface Box 3 Way (Aluminium)

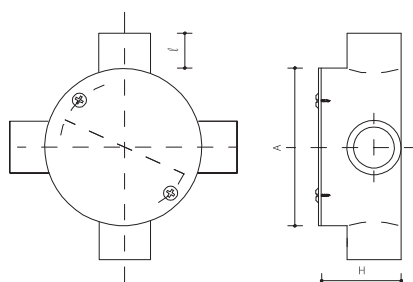


JIS C 8340 JIS Ⓟ

(lengths in : mm)

Type	H	A	l	P	Weight (Kg)
G-16	40	89	18	73	0.59
G-22	40	89	20	73	0.62
G-28	44	100	20	84	0.75
G-36	55	114	25	96	1.10
G-42	70	114	25	96	1.80

Circular Surface Box 4 Way (Aluminium)

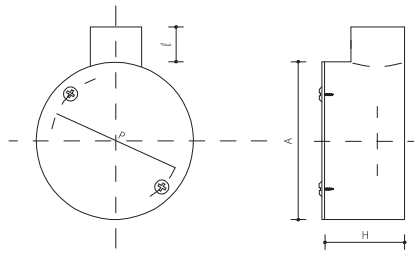


JIS C 8340 JIS Ⓟ

(lengths in : mm)

Type	H	A	l	P	Weight (Kg)
G-16	40	89	18	73	0.59
G-22	40	89	20	73	0.71
G-28	44	100	20	84	0.82
G-36	55	114	25	96	1.20
G-42	70	114	25	96	1.90

Circular Surface Box 1 Way (Steel)

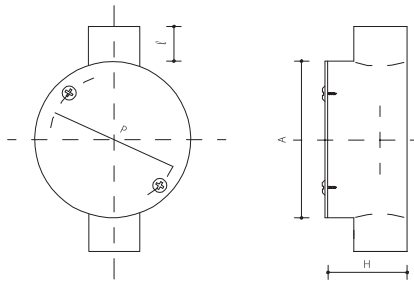


(lengths in : mm)

Type	H	A	ℓ	P	Weight (Kg)
G-16	40	89	18	73	0.51
G-22	40	89	20	73	0.52
G-28	44	100	20	84	0.76
G-36	55	114	25	96	1.00
G-42	70	114	25	96	1.90

JIS C 8340 JIS Ⓢ

Circular Surface Box 2 Way Through (Steel)

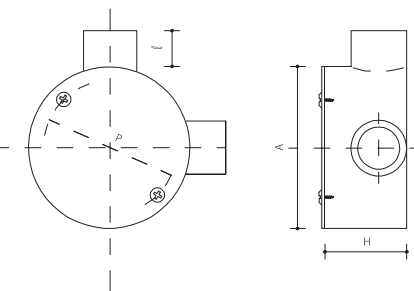


(lengths in : mm)

Type	H	A	ℓ	P	Weight (Kg)
G-16	40	89	18	73	0.52
G-22	40	89	20	73	0.59
G-28	44	100	20	84	0.75
G-36	55	114	25	96	1.10
G-42	70	114	25	96	1.50

JIS C 8340 JIS Ⓢ

Circular Surface Box 2 Way Angle (Steel)

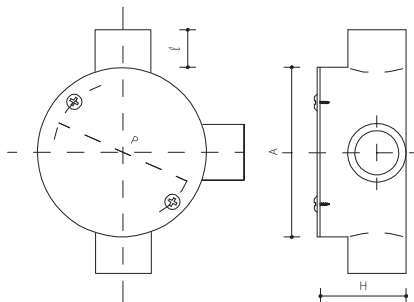


(lengths in : mm)

Type	H	A	ℓ	P	Weight (Kg)
G-16	40	89	18	73	0.52
G-22	40	89	20	73	0.59
G-28	44	100	20	84	0.75
G-36	55	114	25	96	1.10
G-42	70	114	25	96	1.80

JIS C 8340 JIS Ⓢ

Circular Surface Box 3 Way (Steel)

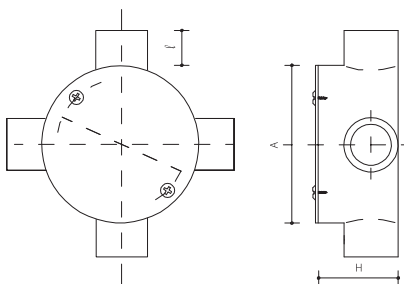


(lengths in : mm)

Type	H	A	ℓ	P	Weight (Kg)
G-16	40	89	18	73	0.59
G-22	40	89	20	73	0.62
G-28	44	100	20	84	0.75
G-36	55	114	25	96	1.10
G-42	70	114	25	96	1.80

JIS C 8340 JIS Ⓢ

Circular Surface Box 4 Way (Steel)

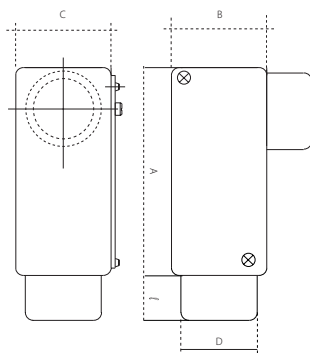


(lengths in : mm)

Type	H	A	l	P	Weight (Kg)
G-16	40	89	18	73	0.59
G-22	40	89	20	73	0.71
G-28	44	100	20	84	0.82
G-36	55	114	25	96	1.20
G-42	70	114	25	96	1.90

JIS C 8340 JIS T

Universal Fitting LB (Aluminium)

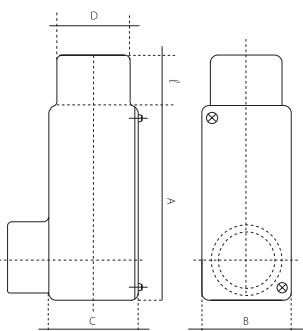


(lengths in : mm)

Type	A	B	C	D	l	Weight (Kg)
G-16	90	33	35	28	18	0.36
G-22	95	40	42	35	20	0.46
G-28	110	45	47	42	20	0.56
G-36	120	60	62	50	25	1.1
G-42	120	60	63	60	25	1.2
G-54	165	75	78	72	25	2.1

JIS C 8340 JIS T

Universal Fitting LL (Aluminium)

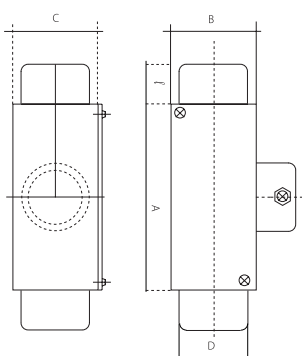


(lengths in : mm)

Type	A	B	C	D	l	Weight (Kg)
G-16	90	33	35	28	18	0.36
G-22	95	40	42	35	20	0.46
G-28	110	45	47	42	20	0.56
G-36	120	60	62	50	25	1.1
G-42	120	60	63	60	25	1.2
G-54	165	75	78	72	25	2.1

JIS C 8340 JIS T

Universal Fitting T (Aluminium)



(lengths in : mm)

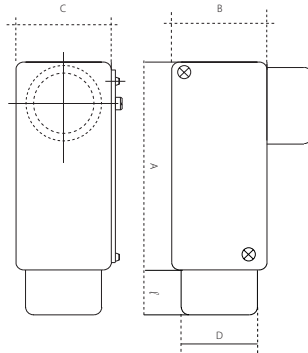
Type	A	B	C	D	l	Weight (Kg)
G-16	90	33	35	28	18	0.36
G-22	95	40	42	35	20	0.46
G-28	110	45	47	42	20	0.56
G-36	120	60	62	50	25	1.1
G-42	120	60	63	60	25	1.2
G-54	165	75	78	72	25	2.1

JIS C 8340 JIS T

Universal Fitting LB (Steel)



JIS C 8340



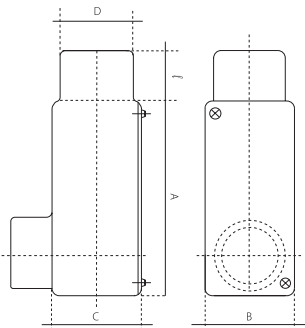
(lengths in : mm)

Type	A	B	C	D	ℓ	Weight (Kg)
G-16	90	33	35	28	18	0.36
G-22	95	40	42	35	20	0.46
G-28	110	45	47	42	20	0.56
G-36	120	60	62	50	25	1.1
G-42	120	60	63	60	25	1.2
G-54	165	75	78	72	25	2.1

Universal Fitting LL (Steel)



JIS C 8340



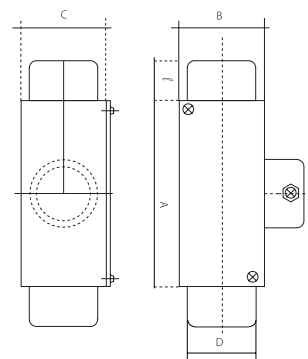
(lengths in : mm)

Type	A	B	C	D	ℓ	Weight (Kg)
G-16	90	33	35	28	18	0.36
G-22	95	40	42	35	20	0.46
G-28	110	45	47	42	20	0.56
G-36	120	60	62	50	25	1.1
G-42	120	60	63	60	25	1.2
G-54	165	75	78	72	25	2.1

Universal Fitting T (Steel)



JIS C 8340



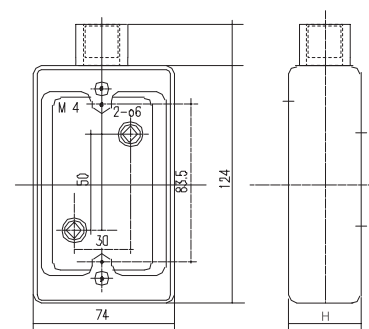
(lengths in : mm)

Type	A	B	C	D	ℓ	Weight (Kg)
G-16	90	33	35	28	18	0.36
G-22	95	40	42	35	20	0.46
G-28	110	45	47	42	20	0.56
G-36	120	60	62	50	25	1.1
G-42	120	60	63	60	25	1.2
G-54	165	75	78	72	25	2.1

Surface Switch Box 1 Way (Aluminium)



JIS C 8340



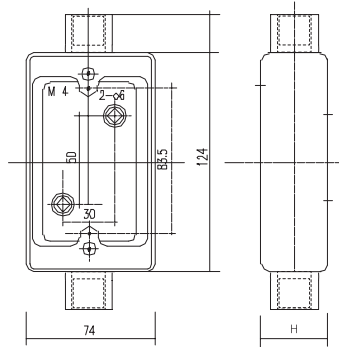
(lengths in : mm)

Type	H	Weight (Kg)
G-16	40	0.63
G-22	50	0.79
G-28	50	0.86

Surface Switch Box 2 Way (Aluminium)



JIS C 8330  



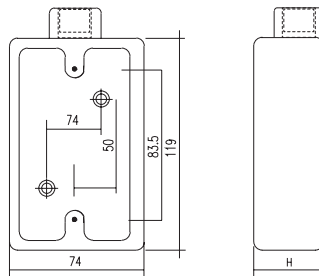
(lengths in : mm)

Type	H	Weight (Kg)
G-16	40	0.67
G-22	50	0.75
G-28	50	0.91

Surface Switch Box 1 Way (Steel)



JIS C 8330  



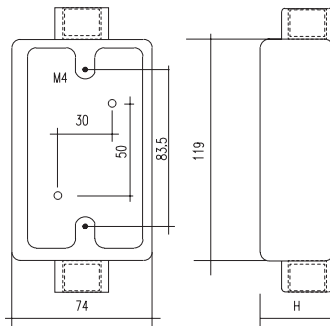
(lengths in : mm)

Type	H	Weight (Kg)
G-16	40	0.63
G-22	50	0.79
G-28	50	0.86

Surface Switch Box 2 Way (Steel)



JIS C 8330  



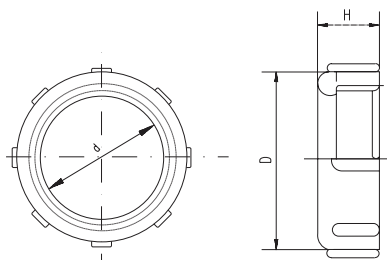
(lengths in : mm)

Type	H	Weight (Kg)
G-16	40	0.67
G-22	50	0.75
G-28	50	0.91

Bushing



JIS C 8330  



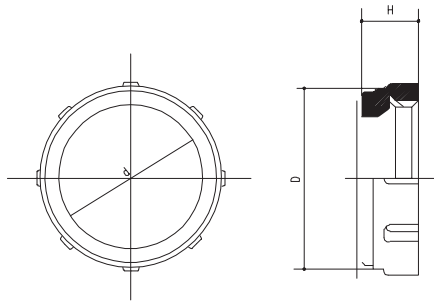
(lengths in : mm)

Type	d	D	H	Weight (Kg)
G-16	13	24	11	0.011
G-22	18	30	12	0.019
G-28	22	37	14	0.031
G-36	29	46	15	0.048
G-42	34	52	17	0.072
G-54	42	65	19	0.100
G-70	54	81	21	0.160
G-82	65	95	23	0.220
G-92	74	110	25	0.40
G-104	84	125	27	0.56

Insulated Bushing



JIS C 8330



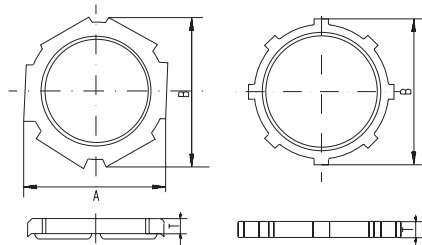
(lengths in : mm)

Type	d	D	H	Weight (Kg)
G-16	13	24	11	0.011
G-22	18	30	12	0.019
G-28	22	37	14	0.031
G-36	29	46	15	0.048
G-42	34	52	17	0.072
G-54	42	65	19	0.100
G-70	54	81	21	0.160
G-82	65	95	23	0.220
G-92	74	110	25	0.40
G-104	84	125	27	0.56

Lock Nut



JIS C 8330



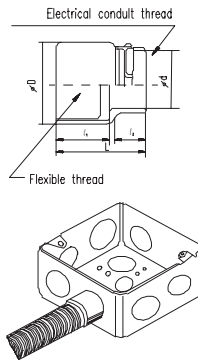
(lengths in : mm)

Type	A	B	T	Weight (Kg)
G-16	27	29	3.6	0.009
G-22	33	36	3.6	0.012
G-28	41	44	4.5	0.016
G-36	49	53	4.5	0.021
G-42		61	4.5	0.034
G-54		74	5.0	0.040
G-70		93	5.0	0.065
G-82		106	5.0	0.067
G-92		112	5.0	0.10
G-104		135	5.0	0.12

Box Connector



JIS C 8330



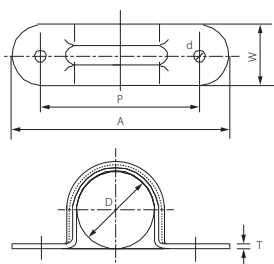
(lengths in : mm)

D	d	L	ℓ ₁	ℓ ₂	Weight (Kg)
24.7	15.0	31	18	10	0.038
31.9	21.0	35	20	12	0.150
38.3	27.0	39	22	14	0.10
47.1	33.0	45	25	16	0.18
59.1	45.0	45	25	16	0.26
74.3	56.0	64	35	18	0.33
88.1	70.0	66	35	20	0.385

Saddle Clamp



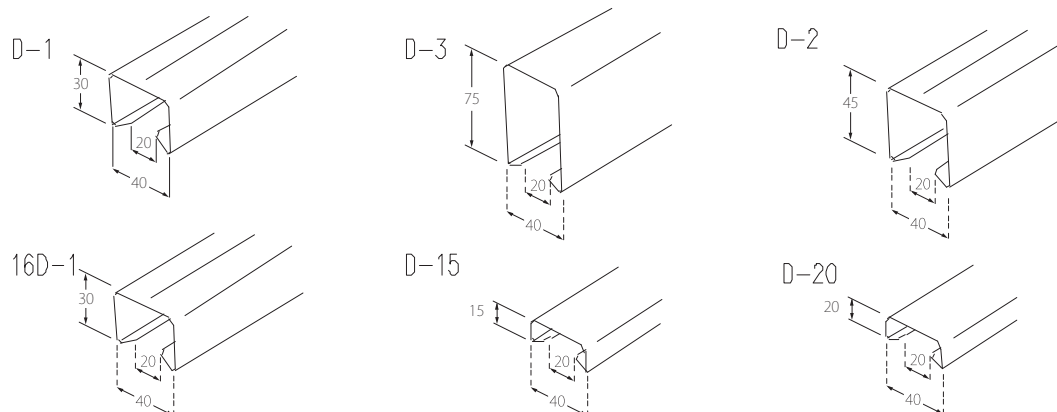
JIS C 8330



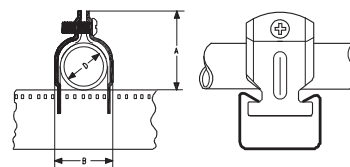
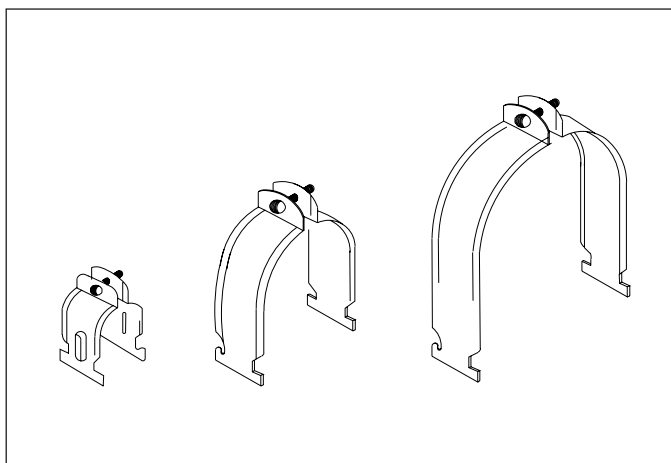
(lengths in : mm)

Type	A	P	W	D	d	T	Weight (Kg)
G-16	65	45	20	21.5	3.6	0.9	0.010
G-22	75	55	20	27			0.012
G-28	90	65	25	33.5	5.5	1.2	0.031
G-36	100	75	25	42			0.035
G-42	110	85	25	48			0.048
G-54	125	100	25	60	6.5	1.6	0.058
G-70	150	120	30	75.5			0.10
G-82	165	135	35	88.5			0.12
G-92	180	150	35	102			0.13
G-104	200	170	35	115			0.15

Race Way



Clamp Race Way



- ØD = Applicable Outer Diameter of Conduit
- A = Height of Clamp
- B = Width of Clamp
- E-1 = Applicable JIS Conduit
- E-2 = Applicable BS 31 Class A (Plain) Conduit
- E-3 = Applicable BS 31 Class B (Screwed) Conduit
- E-4 = Applicable BS 4568 Light Gauge (Plain) Conduit
- E-5 = Applicable BS 4578 Heavy Gauge (Plain) Conduit
- F = Applicable Rigged PVC Conduit
- G = Class 2 Flexible Conduit, PA-2
- I = Flexible Conduit

(lengths in :mm)

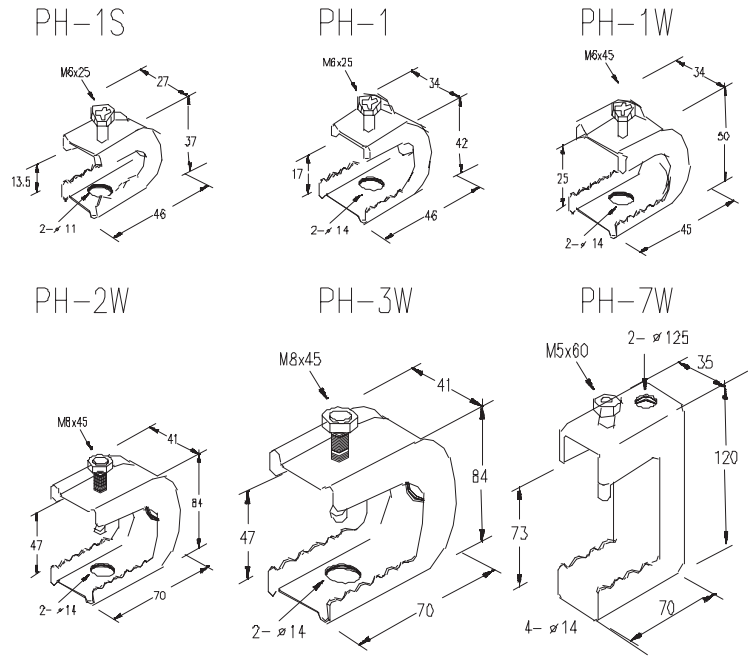
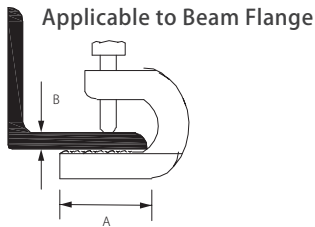
Type	A	B	ØD	E-1	E-2	E-3	E-4	E-5	F	G	I
DC-13	29	19	12.0	-	0.5	0.5	-	-	-	10	-
DC-15	32	22	15.9	15	0.625	0.625	16	16	-	12	-
DC-19	36	26	19.1	19	0.75	0.75	20	20	-	15	13
DC-25, DG-22	42(43)	32(33)	25.4(26.5)	25-22	1	1	25	25	22	-	19
DC-31, DG-28	48(50)	38(40)	31.8(33.3)	31-28	1.25	1.25	32	32	28	-	25
DC-39	55	45	38.1	39	1.5	1.5	-	-	-	-	31
DC-51	67	57	50.8	51	2	2	-	-	-	-	-
DC-63	81	70	63.5	63	2.5	2.5	-	-	-	-	-
DC-75, DG-70	93(92)	83(82)	76.2(75.2)	75-70	-	-	-	-	70	-	63
DG-16	37	27	21.0	76	-	-	-	-	16	71	15
DG-36	59	48	41.9	36	-	-	-	-	36	38	-
DG-42	65	54	47.8	42	-	-	-	-	42	-	39
DG-54	76	66	59.6	54	-	-	-	-	54	-	51
DG-82	105	94	87.9	82	-	-	-	-	82	83	75
DG-92	119	107	100.7	92	-	-	-	-	-	-	-
DG-104	131	120	113.4	104	-	-	-	-	-	-	-

Py Luck

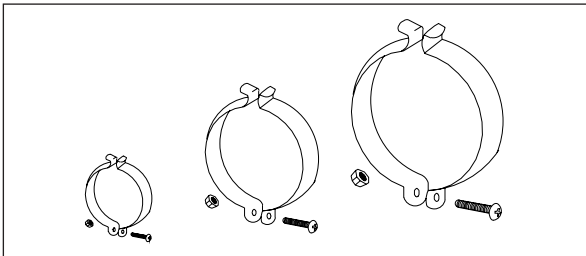


(lengths in : mm)

Type	A	B
1S	25	1-12
1	33	1-16
1W	33	9-24
2W	42	17-32
3W	48	17-45
7W	45	40-70

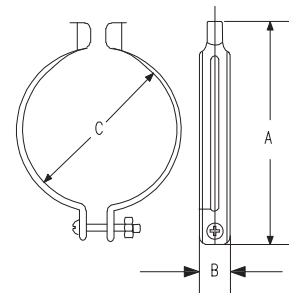


Clamp Py Luck



(lengths in : mm)

Type	A	B	C	D-1	D-2	D-3	E	F	H	G
15-C	37	13	15.9	15	0.63	16	-	12	-	-
19-C	40	14	19.1	19	0.75	20	14	15	-	14
25-C	49	14	25.4	25	1	25	-	-	-	-
22-G			26.5	22			22	-	16-18	18-22
C-31	57	18	31.8	31	1.25	32	-	-	22	-
G-28			33.3	28	2		28	-	-	28
C-39	65	21	38.1	39	2.5	-	-	-	28	-
C-51	78	21	50.8	51	-	-	-	-	42	-
C-63	98	21	63.5	63	-	-	-	-	-	-
C-75	110	21	76.2	75	-	-	-	-	-	-
G-70			75.2	70	-	-	70	-	-	-
G-16	42	14	21.0	76	-	-	16	17	14	16
G-36	74	22	41.9	36	-	-	36	38	-	36
G-42	76	22	47.8	42	-	-	42	-	-	42
G-54	95	21	59.6	54	-	-	54	-	-	-
G-82	123	20	87.9	82	-	-	82	83	-	-
G-92	130	20	100.7	92	-	-	-	-	-	-
G-104	140	20	113.4	104	-	-	-	-	-	-

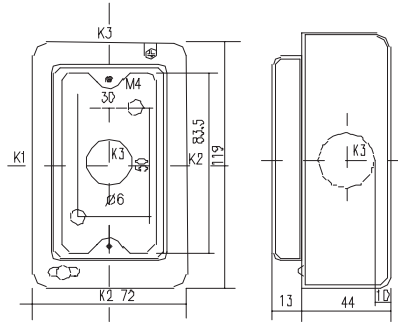


- C = Applicable Conduit Outer Diameter
- D-1 = Applicable JIS Conduit
- D-2 = Applicable BS 31 Class A dan B Conduit
- D-3 = Applicable BS 4568 Light and Heavy Gauge Conduit
- E = Rigid PVC Conduit
- F = Class 2 Flexible Conduit
- H = Pliable Plastics Conduit (PF)
- G = Pliable Plastics Conduit (CD)

Switch Box for 1 Switch



JIS C 8336



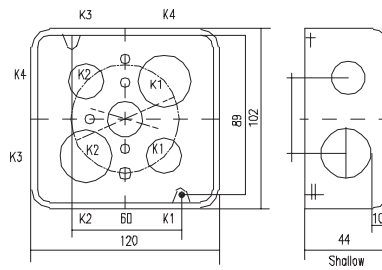
(lengths in : mm)

Type	K1	K2	K3	Weight (Kg)
E-19	16	22	16	0.35
E-25	16	22	16	0.35

Medium Square Outlet Box



JIS C 8336



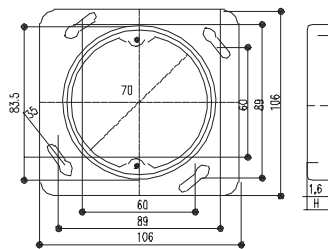
(lengths in : mm)

Type	A	K1	K2	K3	K4	Weight (Kg)
E-19	16	16	22	16	22	0.31
E-25	16	16	22	16	22	0.35

Medium Cover Round Opening



JIS C 8336



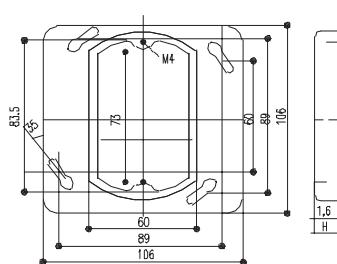
(lengths in : mm)

Type	H	Weight (Kg)
MSB	13	0.11

Medium Cover for 1 Switch



JIS C 8336



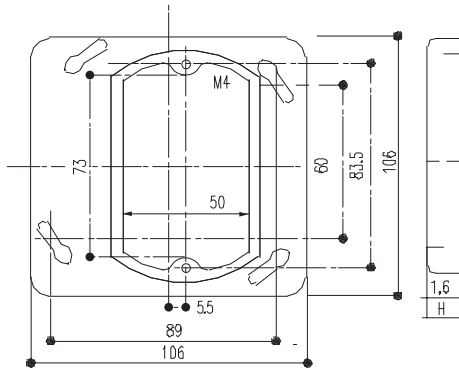
(lengths in : mm)

Type	H	Weight (Kg)
MSB	13	0.11

Medium Cover for 1 Switch (Special Type)



JIS C 8336



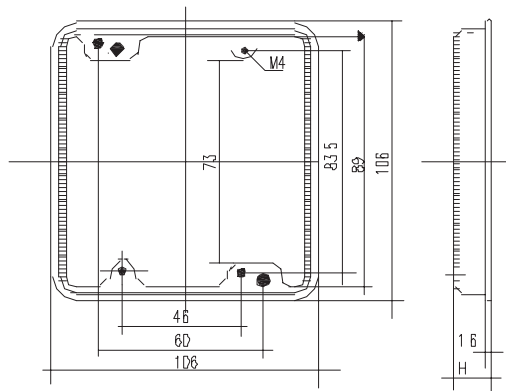
(lengths in : mm)

Type	H	Weight (Kg)
MSB	13	0.11

Medium Cover for 2 Switch



JIS C 8336



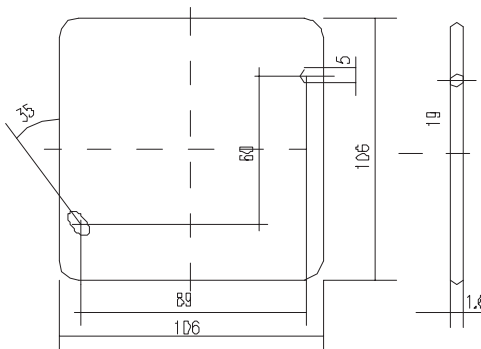
(lengths in : mm)

Type	H	Weight (Kg)
MSB	13	0.07

Medium Blank Cover



JIS C 8336



(lengths in : mm)

Type	H	Weight (Kg)
MSB	13	0.13

OSAKA | 大阪

エラーや脱落は除く。
画像は、シミュレートされます。
重量と寸法はおおよその目安です。
は、将来予告なしに変更する。

ペトラコンジットと大阪は、各社の商標またはPTの商標または登録商標です。ペトラコンジットおよび/またはインドネシアでその関連会社、デザイン、その他のブランド名、製品名などの書籍のすべてのコンテンツ、または商標は、それぞれの所有者に帰属します。

JIS規格のロゴマークは、日本工業標準調査会の登録商標です。

警告: 著作物の無断録音は著作権所有者の権利を侵害する可能性があります著作権法に反している。

Errors and omissions excepted.
Images are simulated.
Weight and dimensions are approximate.
Subject to change without prior notice.

Petra Conduit and OSAKA are trademarks or registered trademarks of PT. Petra Conduit and/or its affiliates in Indonesia. All content of the book, including design, other brand names, product names, or trademarks belong to their respective holders.

JIS logo is a registered trademarks of Japanese Industrial Standards Committee.

Warning : Unauthorized recording of copyrighted materials may infringe on the rights of copyright owners and be contrary to copyright laws.



PT. Mitra Jaya Makmur Abadi

Jl. P Jayakarta Komplek 117 Blok B/12
Mangga Dua Sel, Sawah Besar, Jakarta 10730
Jakarta Pusat - Indonesia

Tel : 021 - 623 20 480
021 - 623 20 230

Fax : 021 - 6287444

<http://www.rajapipa.co.id>